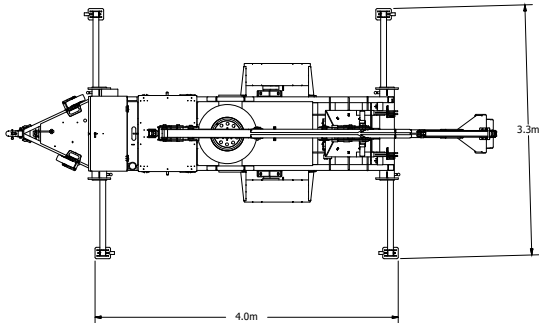
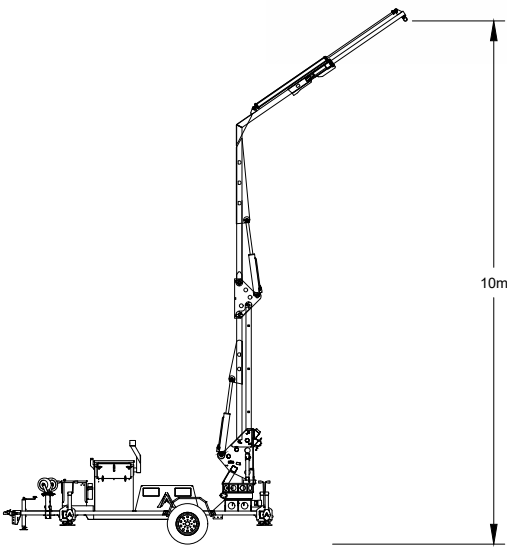




X 360 SPEC SHEET



Safety Standards	
OSHA Fall Arrest Standards	
Applicable Fall Arrest Standards set forth in ANSI Z359.6	
General	
Max. Working Height	34'-6" (10.m) with Mast Fully Extended
Min. Working Height	2' (.6m)
Max. Folded Height	8'-8" (2.6m)
Frame Width	5'-9" (1.7m)
Outriggers Extended Width	10'-9" (3.3m)
Max. Arm Reach Out	13'-6" (4.1m)
Overall Length	20'-5" (6.2m)
Max. Anchor Point Capacity	310 lbs
Max. Allowable Users	2
Weight	7180 lbs (3257kg)
Towing	
Max. Towing Speed	Posted Highway Speed
Axle	7000 lbs. Torison Axle w/Electric Brakes
Tires	235/80/R16 Radials
Receiver	2-5/16" Ball
Trailer Plug Wiring	7-Pole Blade Style lead
Operation	
Actuating Method	Electric Powered Hydraulic system
Controls	Pendant Remote (15 ft cord length) Remote for Rotation (15 ft cord length)
Power Source	12 volt Battery (210 Amp hour rating) w/30A Fuse & Battery Guage
Charging System	110 Volt quick Smart Charger with Cord
Outrigger System	Four (4) Manually Adjustable Jacks
Hydraulics	
Fluid Type	Mobile DT10 Excel 22
Fluid Capacity	12.5 Gallons

*SRLs not included.

www.highworx.ie

www.highworx.ie +353 (0) 1 5563424 sales@highworx.ie

Company Registration Number: 469261